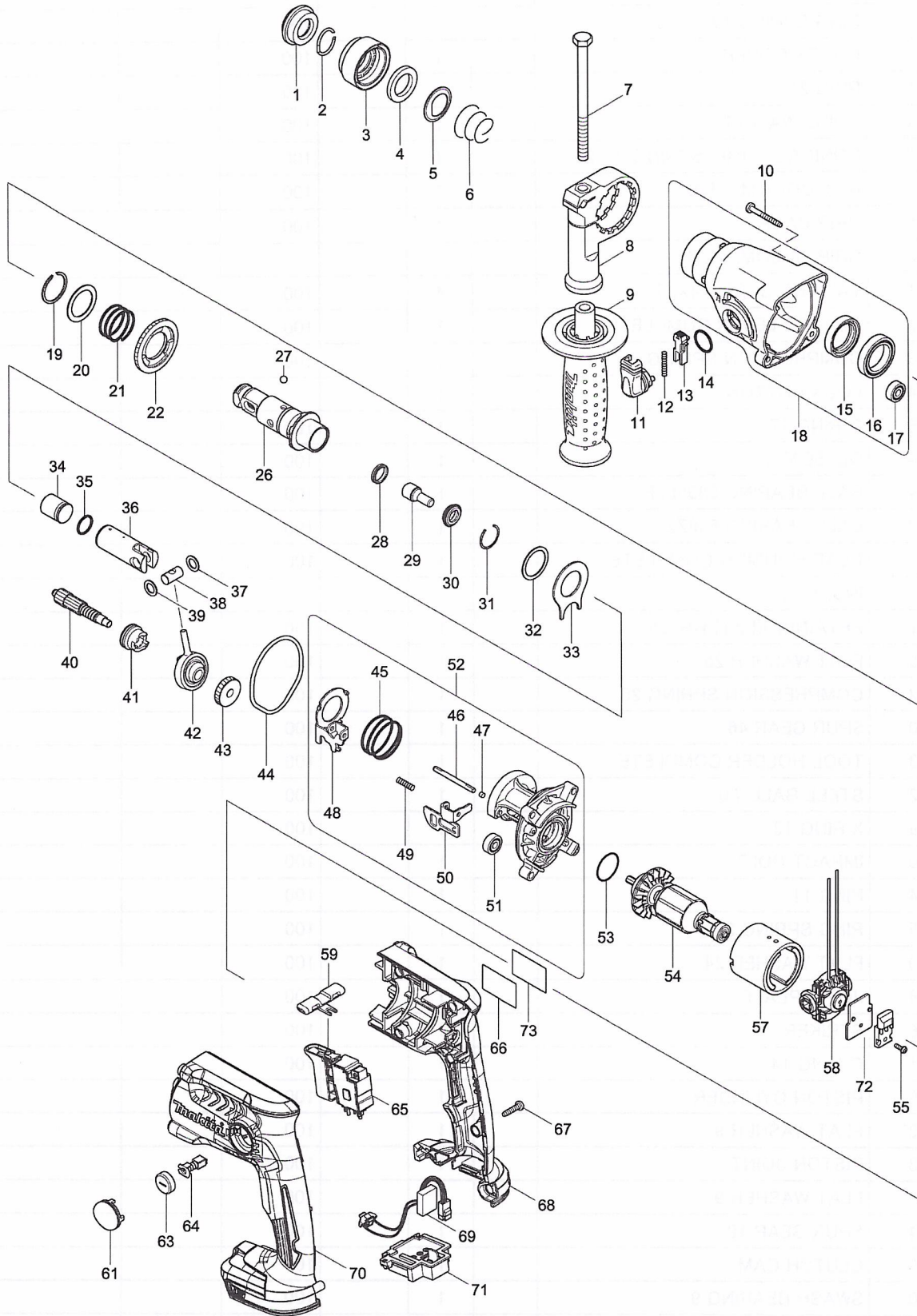


Model No.DHR165 CORDLESS ROTARY HAMMER 16MM



Model No.DHR165 CORDLESS ROTARY HAMMER 16MM

Item	Parts No.	Description	I/C	QTY	New/Old	Opt. 1	Opt. 2	NOTE
001	286263-4	CAP 35		1		100		
002	233940-9	RING SPRING 19		1		100		
003	419220-9	CHUCK COVER		1		100		
004	257241-1	RING 21		1		100		
005	345187-4	GUIDE WASHER		1		100		
006	233916-6	CONICAL COMP. SPRING 21-29		1		100		
007	921923-8	HEX. BOLT M8X120		1		100		
008	417911-6	GRIP BASE		1		100		
009	158057-6	GRIP 36 COMPLETE		1				
010	266053-1	TAPPING SCREW 4X35		4		100		
011	162242-5	CHANGE LEVER COMPLETE		1		100		
012	233459-8	COMPRESSION SPRING 3		1		100		
013	455413-4	LOCK BUTTON		1				
014	213278-8	O RING 17		1		100		
015	213535-4	OIL SEAL 25		1		100		
016	211375-4	BALL BEARING 6805LLB		1		100		
017	211012-0	BALL BEARING 606ZZ		1		100		
018	154840-9	GEAR HOUSING COMPLETE		1		100		
D10		INC. 15-17						
019	961135-1	RETAINING(EXT) WR-25		1		100		
020	267304-5	FLAT WASHER 25		1		100		
021	233457-2	COMPRESSION SPRING 25		1		100		
022	331707-0	SPUR GEAR 46		1		100		
026	154843-3	TOOL HOLDER COMPLETE		1		100		
027	216022-2	STEEL BALL 7.0		1		100		
028	213183-9	X RING 13		1		100		
029	324611-0	IMPACT BOLT		1		100		
030	257275-4	RING 11		1		100		
031	233942-5	RING SPRING 22		1		100		
032	267175-0	FLAT WASHER 24		1		100		
033	345681-6	JOINT PLATE		1		100		
034	324613-6	STRIKER		1		100		
035	213182-1	O RING 14		1		100		
036	331708-8	PISTON CYLINDER		1		100		
037	267130-2	FLAT WASHER 9		1		100		
038	324612-8	PISTON JOINT		1		100		
039	267130-2	FLAT WASHER 9		1		100		
040	227152-4	SPUR GEAR 10		1		100		
041	331706-2	CLUTCH CAM		1		100		
042	219019-0	SWASH BEARING 9		1		100		
043	226623-8	HELICAL GEAR 22		1		100		
044	423346-1	SEAL RING		1		100		
045	233458-0	COMPRESSION SPRING 32		1		100		
046	268147-8	PIN 4		1		100		
047	443123-5	FELT 4X3		1		100		

Model No.DHR165 CORDLESS ROTARY HAMMER 16MM

Item	Parts No.	Description	I/C	QTY	New/Old	Opt. 1	Opt. 2	NOTE
048	345645-0	CHANGE PLATE		1		100		
049	233460-3	COMPRESSION SPRING 3		1		100		
050	345654-9	STOPPER PLATE		1		100		
051	211012-0	BALL BEARING 606ZZ		1		100		
052	154841-7	INNER HOUSING COMPLETE		1		100		
D10		INC. 45-51						
053	213953-6	O RING 24		1		100		
054	619334-6	ARMATURE		1				
055	911011-9	PAN HEAD SCREW M3X10		1		100		
057	638446-6	YOKE UNIT		1		100		
058	632D97-1	ENDBELL COMPLETE		1				
C10	688172-7	LINE FILTER		2				
C20	654037-5	INSULATED TERM. FT1.25-M3		2		100		
059	419457-8	F/R CHANGE LEVER		1		100		
061	424128-4	HOLDER CAP COVER		2		100		
063	643929-3	BRUSH HOLDER CAP		2		100		
064	191971-3	CARBON BRUSH CB-430		1		100		
065	632D93-9	SWITCH UNIT		1				
C10	688172-7	LINE FILTER		1				
066	850K43-6	DHR165 NAME PLATE		1				
067	265995-6	TAPPING SCREW 4X18		7		100		
068	183A41-8	HOUSING SET		1				
C10	263005-3	RUBBER PIN 6		2		100		
D10		INC. 70						
069	620367-6	LIGHT CIRCUIT		1				
070	183A41-8	HOUSING SET		1				
C10	263005-3	RUBBER PIN 6		2		100		
D10		INC. 68						
071	644808-8	TERMINAL		1		100		
072	689098-6	HEAT SINK		1		100		
073	805F02-5	CLEAR LABEL		1				
A01	415486-9	DEPTH GAUGE		1		100		
A02	821551-8	CONNECTOR PLASTIC CASE (TYPE3)		1				
C10	453974-8	LATCH		4		100		
A03	838109-6	INNER TRAY		1				
A04	805L52-6	DHR165ZJ INDICATION LABEL		1				
A05	805L53-4	DHR165ZJ PLASTIC CASE LABEL		2				

Please order the parts with part number.

Print Date 22/10/2019